



ET-2242U

Ethernet I/O Module with 16-ch Sink-/Source-type DO

Features

- Built-in Web Server
- Support Modbus TCP/UDP, MQTT, and SNMP V2c Protocols
- 2-port Ethernet Switch (LAN Bypass) for Daisy-Chain Wiring
- Dual Watchdog
- I/O Pair Connection (Push and Pull)
- Built-in I/O
 - 16-channel DO selectable as either Sink- or Source-type via wire connection
- LED Display to Indicate the I/O Status



Introduction

The ET-2242U provides 16 sink- or source-type Digital Output channels by wire connection and each channel can drive 500 mA load. There are configurable power-on and safe values for digital output. With 2 Ethernet ports, the ET-2242U allows daisy chain connection which permits the flexibility in locating devices, eases installation and lowers infrastructure costs. It features 8 kV ESD protection, 4 kV EFT protection, 3 kV surge and 3000 Vdc I/O isolation to enrich the noise protection ability for industrial environment.

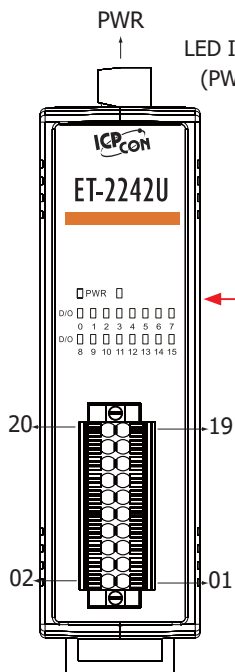
System Specifications

Software	
Built-in Web Server	Yes
CPU Module	
CPU	32-bit ARM
Watchdog Timer	Module, Communication (Programmable)
Isolation	
2-way Isolation	Ethernet: 1500 VDC I/O: 3000 VDC
EMS Protection	
EFT (IEC 61000-4-4)	±4 kV for Power Line
ESD (IEC 61000-4-2)	±8 kV Contact for Each Terminal ±16 kV Air for Random Point
Surge (IEC 61000-4-5)	±2 kV for Power Line
LED Indicators	
Status	Run, Ethernet, I/O
Ethernet	
Ports	2 x RJ-45, 10/100 Base-Tx, Switch Ports
LAN bypass	Yes
Security	Password and IP Filter
Protocol	Modbus TCP, Modbus UDP, MQTT, and SNMP V2c
Power	
Reverse Polarity Protection	Yes
Consumption	2.6 W (max.)
Powered from Terminal Block	+10 to +48 VDC
Mechanical	
Casing	Plastic
Dimensions (mm)	33 x 126 x 108 (W x L x H)
Installation	DIN-Rail Mounting
Environment	
Operating Temperature	-25 to +75°C
Storage Temperature	-40 to +80°C
Humidity	10 to 90% RH, Non-condensing

I/O Specifications

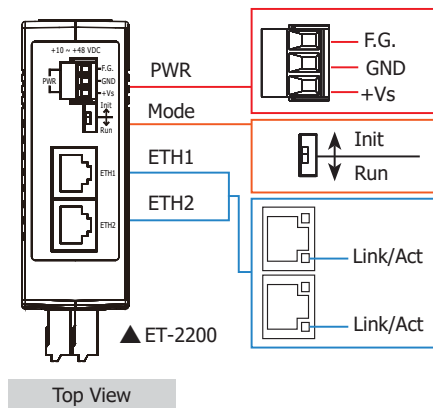
Model	ET-2242U
Digital Output	
Channels	16
Type	Push-Pull
Sink/Source (NPN/PNP)	Sink/Source
Load Voltage	+3.5 to +80 V
Load Current	500 mA/channel
Overload Protection	-
Overvoltage Protection	-
Power-on Value	Programmable
Safe Value	Programmable

Pin Assignments



Pin Assignment	Terminal No.	Pin Assignment
DO7	20	19 DO15
DO6	18	17 DO14
DO5	16	15 DO13
DO4	14	13 DO12
DO3	12	11 DO11
DO2	10	09 DO10
DO1	08	07 DO9
DO0	06	05 DO8
DO.COM	04	03 DO.COM
DO.COM	02	01 DO.COM

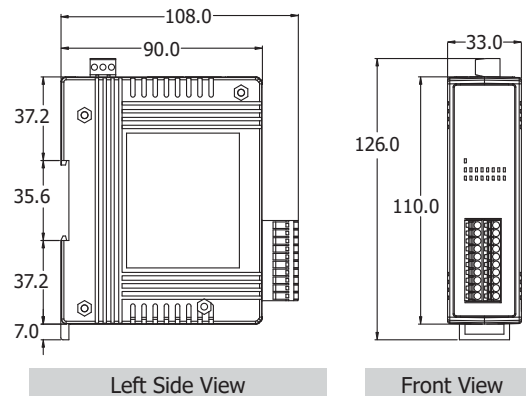
20-pin Connector



Wire Connections

Output Type	ON State Readback as 1	OFF State Readback as 0
Sink	<p>DOx E.GND E.PWR</p>	<p>DOx E.GND E.PWR</p>
Source	<p>DOx E.GND E.PWR</p>	<p>DOx E.GND E.PWR</p>

Dimensions (Units: mm)



Ordering Information

ET-2242U CR	Ethernet I/O Module with 2-port Ethernet Switch and 16-ch Sink/Source-type DO (RoHS)
--------------------	--